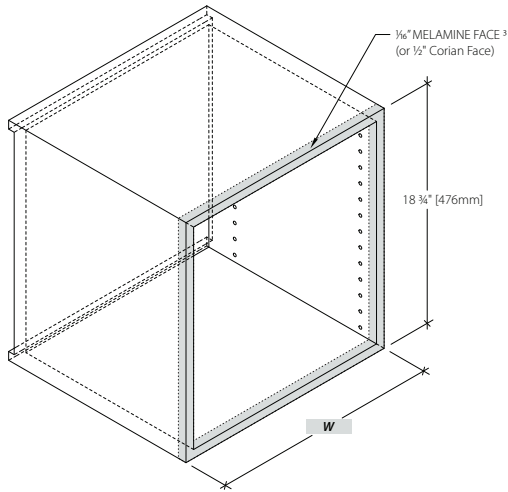
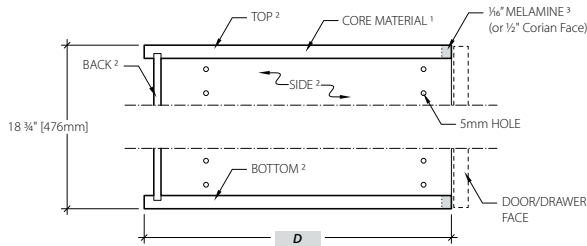


CABINET BOX 01

18" HIGH CABINET BOX EUROPEAN STYLE



AXONOMETRIC



SECTION

BOX - TO BE SPECIFIED

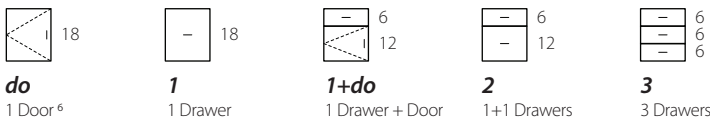
Product #:	ENP-B01-18						
Width and Depth:	<table border="0"> <tr> <td><input type="text"/></td> <td>W (9", 12", 15", 18", 21", 24", 27", 30", 33" or 36")</td> </tr> <tr> <td><input type="text"/></td> <td>D (13", 16", 19" or 22")</td> </tr> </table>	<input type="text"/>	W (9", 12", 15", 18", 21", 24", 27", 30", 33" or 36")	<input type="text"/>	D (13", 16", 19" or 22")		
<input type="text"/>	W (9", 12", 15", 18", 21", 24", 27", 30", 33" or 36")						
<input type="text"/>	D (13", 16", 19" or 22")						
Material:	<table border="0"> <tr> <td><input type="text"/></td> <td>Core (MDF*, Plywood or Marine Grade) ¹</td> </tr> <tr> <td><input type="text"/></td> <td>Laminate color (see cabinet guide)</td> </tr> </table>	<input type="text"/>	Core (MDF*, Plywood or Marine Grade) ¹	<input type="text"/>	Laminate color (see cabinet guide)		
<input type="text"/>	Core (MDF*, Plywood or Marine Grade) ¹						
<input type="text"/>	Laminate color (see cabinet guide)						
Thickness:	<table border="0"> <tr> <td><input type="text"/></td> <td>Top, Bottom and Sides (3/4"*, 1/2" or 5/8") ²</td> </tr> <tr> <td><input type="text"/></td> <td>Back (3/8"*, 1/2", 5/8" or 3/4") ²</td> </tr> </table>	<input type="text"/>	Top, Bottom and Sides (3/4"*, 1/2" or 5/8") ²	<input type="text"/>	Back (3/8"*, 1/2", 5/8" or 3/4") ²		
<input type="text"/>	Top, Bottom and Sides (3/4"*, 1/2" or 5/8") ²						
<input type="text"/>	Back (3/8"*, 1/2", 5/8" or 3/4") ²						
Options:	<table border="0"> <tr> <td><input type="text"/></td> <td>Edge Material (Melamine* or Corian) ³</td> </tr> <tr> <td><input type="text"/></td> <td>Edge Color (see cabinet guide)</td> </tr> <tr> <td><input type="text"/></td> <td>Levelers (none*, 3 1/8", 4", 4 3/4" or 6")</td> </tr> </table>	<input type="text"/>	Edge Material (Melamine* or Corian) ³	<input type="text"/>	Edge Color (see cabinet guide)	<input type="text"/>	Levelers (none*, 3 1/8", 4", 4 3/4" or 6")
<input type="text"/>	Edge Material (Melamine* or Corian) ³						
<input type="text"/>	Edge Color (see cabinet guide)						
<input type="text"/>	Levelers (none*, 3 1/8", 4", 4 3/4" or 6")						

DOOR/DRAWER - TO BE SPECIFIED

Product #:	ENP-B01-D18						
Combination:	<input type="text"/> (select from the bottom of the page)						
Faces:	<table border="0"> <tr> <td><input type="text"/></td> <td>Face Style (see cabinet guide)</td> </tr> <tr> <td><input type="text"/></td> <td>Color (see cabinet guide)</td> </tr> <tr> <td><input type="text"/></td> <td>Finish (Matte* or Semi-gloss)</td> </tr> </table>	<input type="text"/>	Face Style (see cabinet guide)	<input type="text"/>	Color (see cabinet guide)	<input type="text"/>	Finish (Matte* or Semi-gloss)
<input type="text"/>	Face Style (see cabinet guide)						
<input type="text"/>	Color (see cabinet guide)						
<input type="text"/>	Finish (Matte* or Semi-gloss)						
Drawer:	<table border="0"> <tr> <td><input type="text"/></td> <td>Material (Melamine* or Corian)</td> </tr> <tr> <td><input type="text"/></td> <td>Color (see cabinet guide)</td> </tr> </table>	<input type="text"/>	Material (Melamine* or Corian)	<input type="text"/>	Color (see cabinet guide)		
<input type="text"/>	Material (Melamine* or Corian)						
<input type="text"/>	Color (see cabinet guide)						
Hardware options:	<table border="0"> <tr> <td><input type="text"/></td> <td>Pull (Manufacturer and Part number) ⁴</td> </tr> <tr> <td><input type="text"/></td> <td>Silent Closing or Touch Latches ⁵</td> </tr> </table>	<input type="text"/>	Pull (Manufacturer and Part number) ⁴	<input type="text"/>	Silent Closing or Touch Latches ⁵		
<input type="text"/>	Pull (Manufacturer and Part number) ⁴						
<input type="text"/>	Silent Closing or Touch Latches ⁵						

Notes:

- * - Denotes Standard;
- (1) - Lightweight MDF standard, Plywood or Marine Grade Plywood available;
- (2) - Material thickness does not affect overall dimensions;
- (3) - Finish material for front edge of box;
- (4) - Door/Drawer predrilled for specified pull hardware, hardware not included;
- (5) - Choose only one;
- (6) - Comes with one adjustable shelf;
- (7) - Metric conversions are approximate;
- (8) - All dimensions will be rounded to the nearest 1/8".



DOOR / DRAWER COMBINATIONS