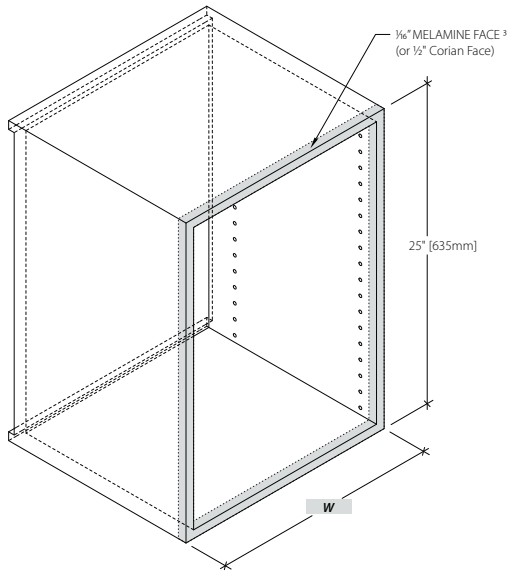
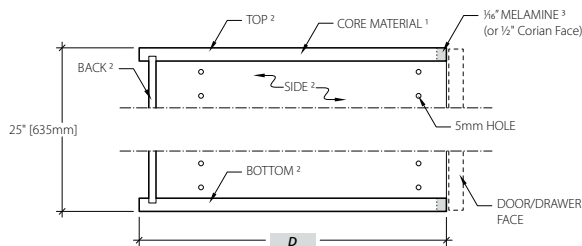


CABINET BOX 01

25" HIGH CABINET BOX EUROPEAN STYLE



AXONOMETRIC



SECTION

BOX - TO BE SPECIFIED

Product #: **ENP-B01-25**

Width and Depth:

W (9", 12", 15", 18", 21", 24", 27", 30", 33" or 36")

D (13", 16", 19" or 22")

Material:

Core (MDF*, Plywood or Marine Grade)¹

Laminate color (see cabinet guide)

Thickness:

Top, Bottom and Sides (3/4", 1/2" or 5/8")²

Back (3/8", 1/2", 5/8" or 3/4")²

Options:

Edge Material (Melamine* or Corian)³

Edge Color (see cabinet guide)

Levelers (none*, 3 1/8", 4", 4 3/4" or 6")

DOOR/DRAWER - TO BE SPECIFIED

Product #: **ENP-B01-D25**

Combination:

(select from the bottom of the page)

Faces:

Face Style (see cabinet guide)

Color (see cabinet guide)

Finish (Matte* or Semi-gloss)

Drawer:

Material (Melamine* or Corian)

Color (see cabinet guide)

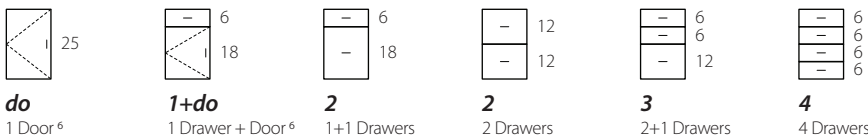
Hardware options:

Pull (Manufacturer and Part number)⁴

Silent Closing or Touch Latches⁵

Notes:

- * - Denotes Standard;
- (1) - Lightweight MDF standard, Plywood or Marine Grade Plywood available;
- (2) - Material thickness does not affect overall dimensions;
- (3) - Finish material for front edge of box;
- (4) - Door/Drawer predrilled for specified pull hardware, hardware not included;
- (5) - Choose only one;
- (6) - Comes with two adjustable shelves;
- (7) - Metric conversions are approximate;
- (8) - All dimensions will be rounded to the nearest 1/8".



DOOR / DRAWER COMBINATIONS