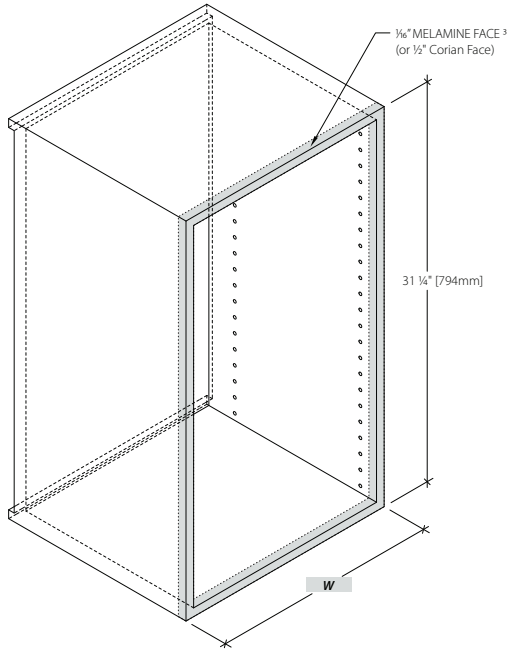
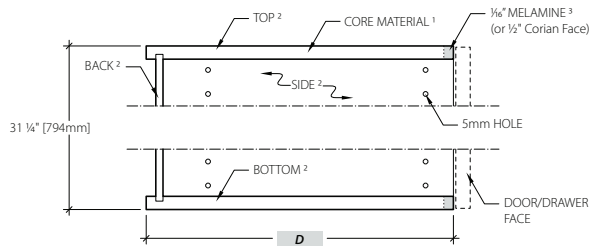


CABINET BOX 01

31" HIGH CABINET BOX EUROPEAN STYLE



AXONOMETRIC



SECTION

BOX - TO BE SPECIFIED

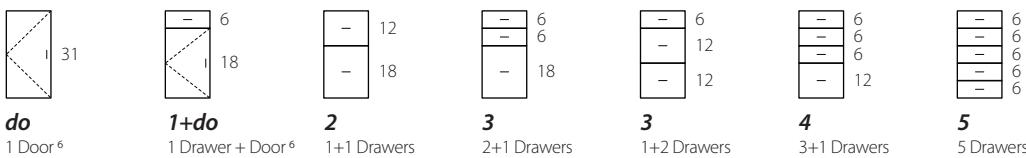
Product #:	ENP-B01-31
Width and Depth:	W (9", 12", 15", 18", 21", 24", 27", 30", 33" or 36") D (13", 16", 19" or 22")
Material:	Core (MDF*, Plywood or Marine Grade) ¹ Laminate color (see cabinet guide)
Thickness:	Top, Bottom and Sides (3/4", 1/2" or 5/8") ² Back (3/8", 1/2", 5/8" or 3/4") ²
Options:	Edge Material (Melamine* or Corian) ³ Edge Color (see cabinet guide) Levelers (none*, 3 1/8", 4", 4 3/4" or 6")

DOOR/DRAWER - TO BE SPECIFIED

Product #:	ENP-B01-D31
Combination:	(select from the bottom of the page)
Faces:	Face Style (see cabinet guide) Color (see cabinet guide) Finish (Matte* or Semi-gloss)
Drawer:	Material (Melamine* or Corian) Color (see cabinet guide)
Hardware options:	Pull (Manufacturer and Part number) ⁴ Silent Closing or Touch Latches ⁵

Notes:

- * - Denotes Standard;
- (1) - Lightweight MDF standard, Plywood or Marine Grade Plywood available;
- (2) - Material thickness does not affect overall dimensions;
- (3) - Finish material for front edge of box;
- (4) - Door/Drawer predrilled for specified pull hardware, hardware not included;
- (5) - Choose only one;
- (6) - Comes with three adjustable shelves;
- (7) - Metric conversions are approximate;
- (8) - All dimensions will be rounded to the nearest 1/8".



DOOR / DRAWER COMBINATIONS