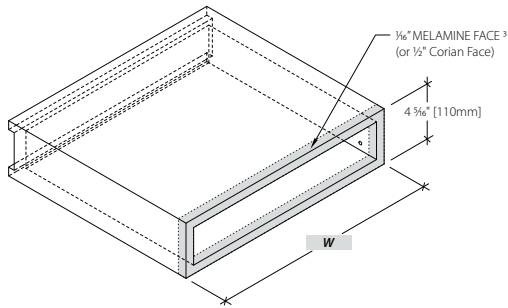
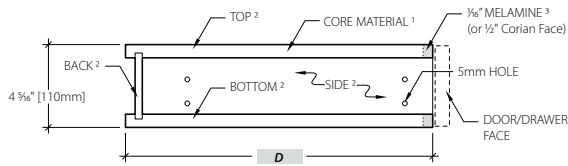


CABINET BOX 01

4" HIGH CABINET BOX EUROPEAN STYLE



AXONOMETRIC



SECTION

BOX - TO BE SPECIFIED

Product #:	ENP-B01-4
Width and Depth:	W (9", 12", 15", 18", 21", 24", 27", 30", 33" or 36") D (13", 16", 19" or 22")
Material:	Core (MDF*, Plywood or Marine Grade) ¹ Laminate color (see cabinet guide)
Thickness:	Top, Bottom and Sides (3/4", 1/2" or 5/8") ² Back (3/8", 1/2", 5/8" or 3/4") ²
Options:	Edge Material (Melamine* or Corian) ³ Edge Color (see cabinet guide) Levelers (none*, 3 1/8", 4", 4 3/4" or 6")

DOOR/DRAWER - TO BE SPECIFIED

Product #:	ENP-B01-D4
Combination:	1 One drawer (see bottom of page)
Faces:	Face Style (see cabinet guide) Color (see cabinet guide) Finish (Matte* or Semi-gloss)
Drawer:	Material (Melamine* or Corian) Color (see cabinet guide)
Hardware options:	Pull (Manufacturer and Part number) ⁴ Silent Closing or Touch Latches ⁵

- Notes:
 * - Denotes Standard;
 (1) - Lightweight MDF standard, Plywood or Marine Grade Plywood available;
 (2) - Material thickness does not affect overall dimensions;
 (3) - Finish material for front edge of box;
 (4) - Door/Drawer predrilled for specified pull hardware, hardware not included;
 (5) - Choose only one;
 (6) - Metric conversions are approximate;
 (7) - All dimensions will be rounded to the nearest 1/8".

4

1
1 Drawer

DOOR / DRAWER COMBINATIONS