

# WALL CLADDING 01

1/4" RETROFIT - TRADITIONAL

## C3 - CHAIR RAIL OUTSIDE CORNER BLOCK LARGE

**TO BE SPECIFIED**

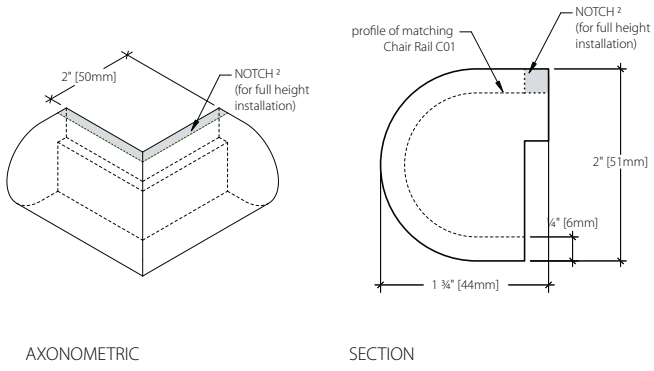
Product #: **ENP-C01-C3-L**

Material:  Color (see color guide)  
 Finish - Matte standard or Semi-gloss

Chair Rail Style 1:  (select from the bottom of the page)

Installation Type 2:  Half Height or Full Height (with notch)

Notes:  
 (1) - Chair rail blocks are designed to match each chair rail style.  
 The shown example uses Chair Rail style 01 - 3/4" Bullnose;  
 (2) - Full height walls required a 1/4" notch for installation of the top portion of the wall;  
 (3) - Metric conversions are approximate;  
 (4) - All dimensions will be rounded to the nearest 1/8".



AXONOMETRIC

SECTION

## C3 - CHAIR RAIL OUTSIDE CORNER BLOCK LARGE ROUND

**TO BE SPECIFIED**

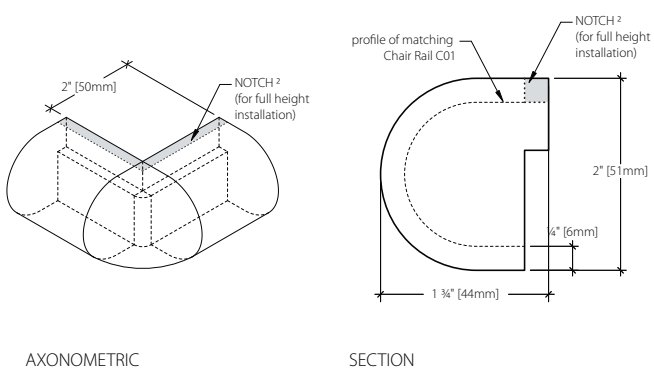
Product #: **ENP-C01-C3-LR**

Material:  Color (see color guide)  
 Finish - Matte standard or Semi-gloss

Chair Rail Style 1:  (select from the bottom of the page)

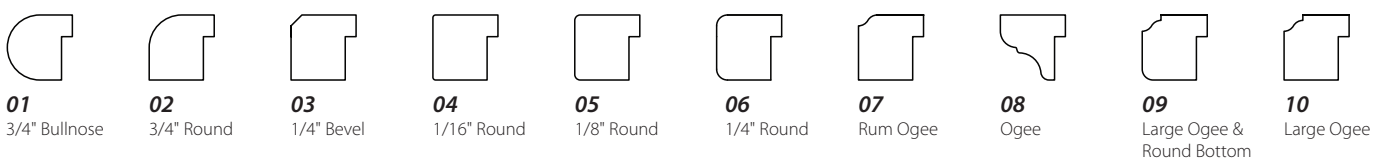
Installation Type 2:  Half Height or Full Height (with notch)

Notes:  
 (1) - Chair rail blocks are designed to match each chair rail style.  
 The given example uses Chair Rail style 01 - 3/4" Bullnose;  
 (2) - Full height walls required a 1/4" notch for installation of the top wall;  
 (3) - Metric conversions are approximate;  
 (4) - All dimensions will be rounded to the nearest 1/8".



AXONOMETRIC

SECTION



CHAIR RAIL STYLES

# WALL CLADDING 01

1/4" RETROFIT - TRADITIONAL

## C3 - CHAIR RAIL OUTSIDE CORNER BLOCK SMALL

**TO BE SPECIFIED**

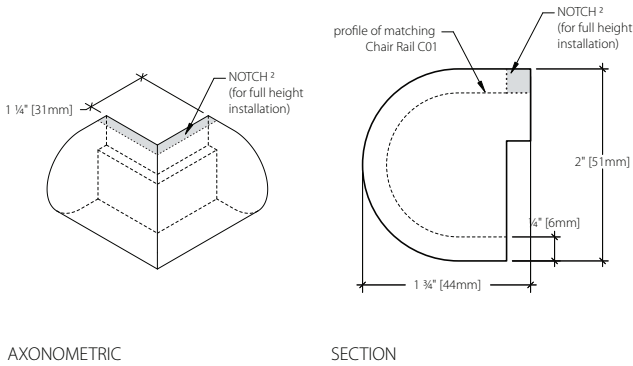
Product #: **ENP-C01-C3-S**

Material:  Color (see color guide)  
 Finish - Matte standard or Semi-gloss

Chair Rail Style 1:  (select from the bottom of the page)

Installation Type 2:  Half Height or Full Height (with notch)

Notes:  
 (1) - Chair rail blocks are designed to match each chair rail style.  
 The shown example uses Chair Rail style 01 - 3/4" Bullnose;  
 (2) - Full height walls required a 1/4" notch for installation of the top portion of the wall;  
 (3) - Metric conversions are approximate;  
 (4) - All dimensions will be rounded to the nearest 1/8".



AXONOMETRIC

SECTION

## C3 - CHAIR RAIL OUTSIDE CORNER BLOCK SMALL ROUND

**TO BE SPECIFIED**

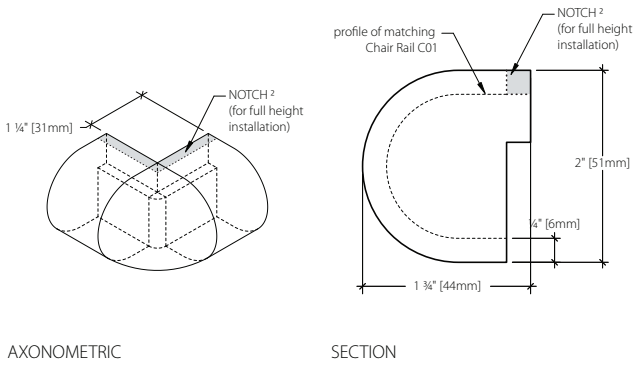
Product #: **ENP-C01-C3-SR**

Material:  Color (see color guide)  
 Finish - Matte standard or Semi-gloss

Chair Rail Style 1:  (select from the bottom of the page)

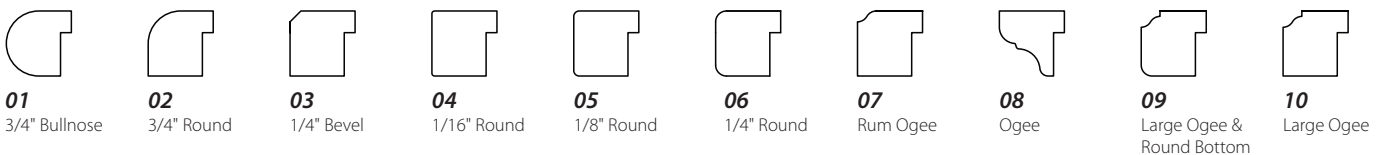
Installation Type 2:  Half Height or Full Height (with notch)

Notes:  
 (1) - Chair rail blocks are designed to match each chair rail style.  
 The given example uses Chair Rail style 01 - 3/4" Bullnose;  
 (2) - Full height walls required a 1/4" notch for installation of the top wall;  
 (3) - Metric conversions are approximate;  
 (4) - All dimensions will be rounded to the nearest 1/8".



AXONOMETRIC

SECTION



CHAIR RAIL STYLES