

WALL CLADDING 01

1/4" RETROFIT - TRADITIONAL

C4 - CHAIR RAIL EDGE BLOCK

TO BE SPECIFIED

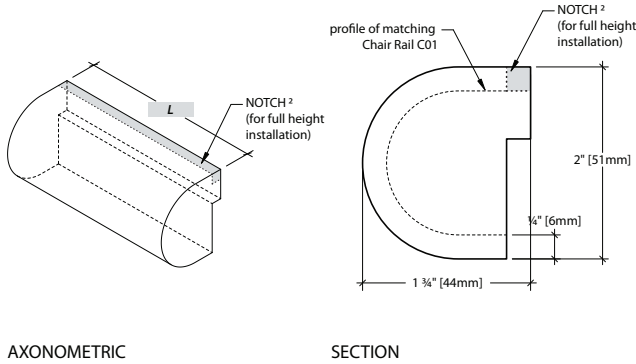
Product #:

Material: Color (see color guide)
 Finish - Matte standard or Semi-gloss

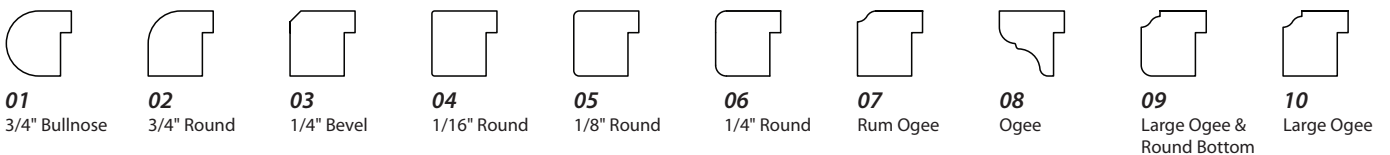
Length Dimension: L (2 1/4", 3 1/4", 4 1/4", 5 1/4" or 6 1/4")

Chair Rail Style 1: (select from the bottom of the page)

Installation Type 2: Half Height or Full Height (with notch)



- Notes:
- (1) - Chair rail blocks are designed to match each chair rail style. The shown example uses Chair Rail style 01 - 3/4" Bullnose;
 - (2) - Full height walls required a 1/4" notch for installation of the top portion of the wall;
 - (3) - Metric conversions are approximate;
 - (4) - All dimensions will be rounded to the nearest 1/8".



CHAIR RAIL STYLES