

WALL CLADDING 01

1/4" RETROFIT - TRADITIONAL

T3 - OUTSIDE CORNER TRIM - LARGE

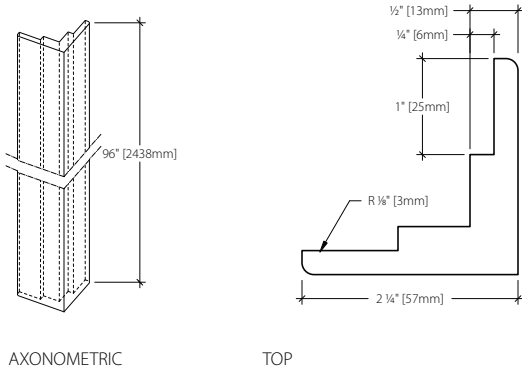
TO BE SPECIFIED

Product #: **ENP-C01-T3-L**

Material: Color (see color guide)
 Finish - Matte standard or Semi-gloss

Height Dimension: 96" Standard (up to 143" available)

Notes:
 (1) - Metric conversions are approximate;
 (2) - All dimensions will be rounded to the nearest 1/8".



AXONOMETRIC

TOP

T3 - OUTSIDE CORNER TRIM - LARGE ROUND

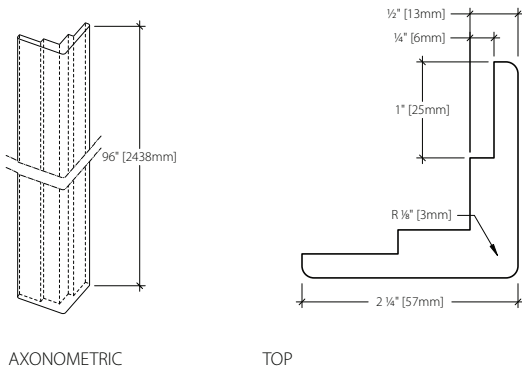
TO BE SPECIFIED

Product #: **ENP-C01-T3-LR**

Material: Color (see color guide)
 Finish - Matte standard or Semi-gloss

Height Dimension: 96" Standard (up to 143" available)

Notes:
 (1) - Metric conversions are approximate;
 (2) - All dimensions will be rounded to the nearest 1/8".



AXONOMETRIC

TOP

T3 - OUTSIDE CORNER TRIM - SMALL

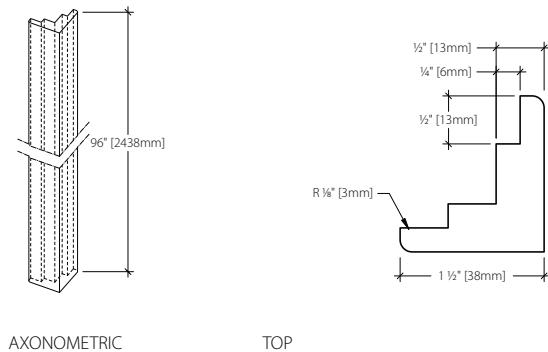
TO BE SPECIFIED

Product #: **ENP-C01-T3-S**

Material: Color (see color guide)
 Finish - Matte standard or Semi-gloss

Height Dimension: 96" Standard (up to 143" available)

Notes:
 (1) - Metric conversions are approximate;
 (2) - All dimensions will be rounded to the nearest 1/8".



AXONOMETRIC

TOP

EVANS & PAUL

Certified Fabricators of Dupont Corian

COMPONENT: T3 - OUTSIDE CORNER TRIM

WALL CLADDING 01

1/4" RETROFIT - TRADITIONAL

T3 - OUTSIDE CORNER TRIM - SMALL ROUND

TO BE SPECIFIED

Product #: **ENP-C01-T3-SR**

Material:

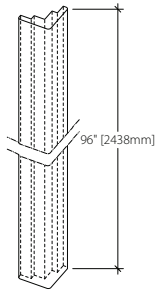
Color (see color guide)
 Finish - Matte standard or Semi-gloss

Height Dimension:

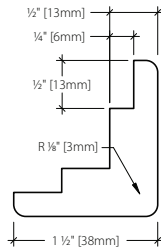
96" Standard (up to 143" available)

Notes:

- (1) - Metric conversions are approximate;
- (2) - All dimensions will be rounded to the nearest 1/8".



AXONOMETRIC



TOP

Made in the U.S.A.

For more information, please visit us at www.evansandpaul.com or call 1-718-661-1585

©2007 Evans & Paul Unlimited Corp. All Rights Reserved.