

# WALL CLADDING 01

1/4" RETROFIT - TRADITIONAL

## T4 - EDGE TRIM - 2"

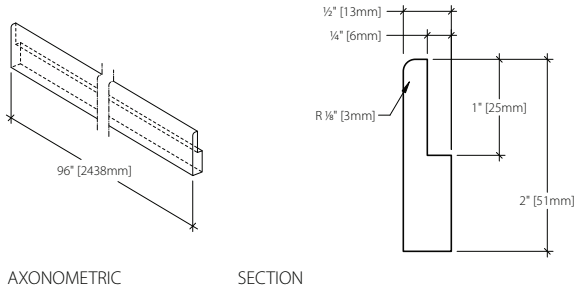
### TO BE SPECIFIED

Product #: **ENP-C01-T4-2**

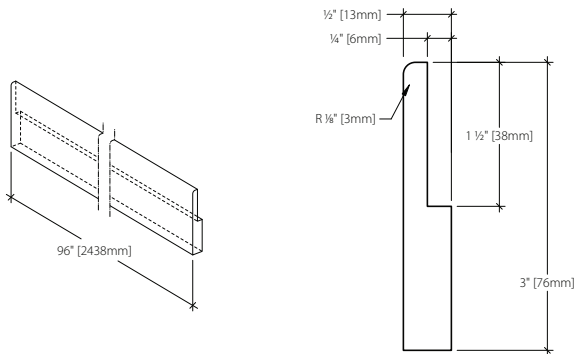
Material:  Color (see color guide)  
 Finish - Matte standard or Semi-gloss

Height Dimension:  96" Standard (up to 143" available)

Notes:  
 (1) - Metric conversions are approximate;  
 (2) - All dimensions will be rounded to the nearest 1/8".



AXONOMETRIC SECTION



AXONOMETRIC SECTION

## T4 - EDGE TRIM - 3"

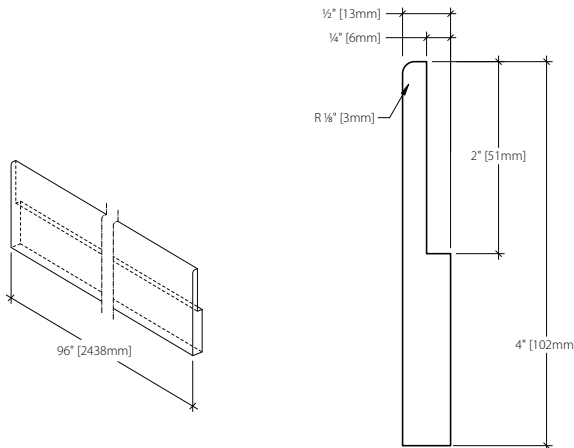
### TO BE SPECIFIED

Product #: **ENP-C01-T4-3**

Material:  Color (see color guide)  
 Finish - Matte standard or Semi-gloss

Height Dimension:  96" Standard (up to 143" available)

Notes:  
 (1) - Metric conversions are approximate;  
 (2) - All dimensions will be rounded to the nearest 1/8".



AXONOMETRIC SECTION

## T4 - EDGE TRIM - 4"

### TO BE SPECIFIED

Product #: **ENP-C01-T4-4**

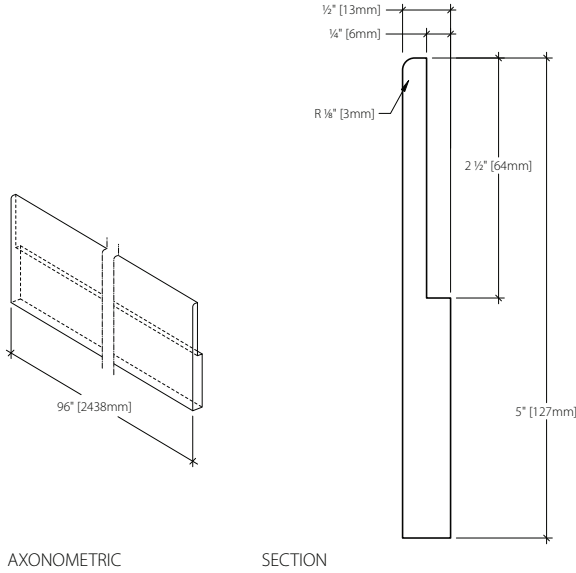
Material:  Color (see color guide)  
 Finish - Matte standard or Semi-gloss

Height Dimension:  96" Standard (up to 143" available)

Notes:  
 (1) - Metric conversions are approximate;  
 (2) - All dimensions will be rounded to the nearest 1/8".

# WALL CLADDING 01

1/4" RETROFIT - TRADITIONAL



## T4 - EDGE TRIM - 5"

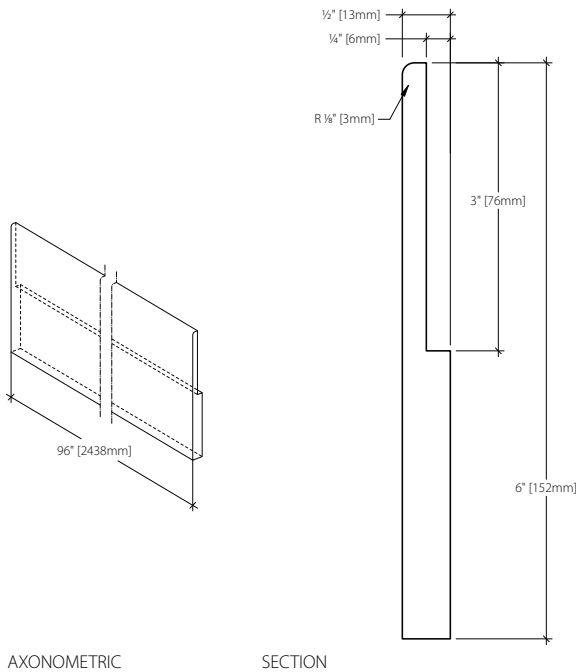
### TO BE SPECIFIED

Product #:

Material:  Color (see color guide)  
 Finish - Matte standard or Semi-gloss

Height Dimension:  96" Standard (up to 143" available)

Notes:  
 (1) - Metric conversions are approximate;  
 (2) - All dimensions will be rounded to the nearest 1/8".



## T4 - EDGE TRIM - 6"

### TO BE SPECIFIED

Product #:

Material:  Color (see color guide)  
 Finish - Matte standard or Semi-gloss

Height Dimension:  96" Standard (up to 143" available)

Notes:  
 (1) - Metric conversions are approximate;  
 (2) - All dimensions will be rounded to the nearest 1/8".