

# WALL CLADDING 02

1/2" RETROFIT - MINIMAL

## P3 - OUTSIDE CORNER WALL PANEL - 5" ROUND

### TO BE SPECIFIED

Product #: **ENP-C02-P3-R5**

Material:

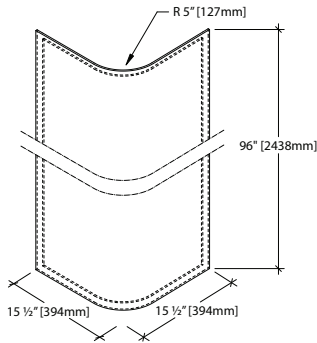
- Color (see color guide)
- Pattern Style (see pattern guide)
- Finish - Matte standard or Semi-gloss

Height Dimension:

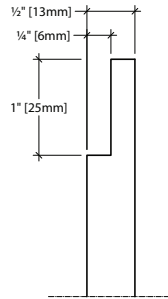
96" Standard (up to 143" available)

Notes:

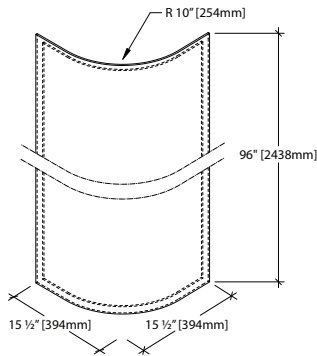
- (1) - Metric conversions are approximate;
- (2) - All dimensions will be rounded to the nearest 1/8".



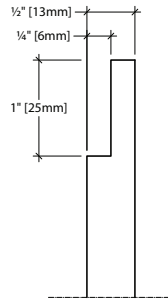
AXONOMETRIC



EDGE DETAIL



AXONOMETRIC



EDGE DETAIL

## P3 - OUTSIDE CORNER WALL PANEL - 10" ROUND

### TO BE SPECIFIED

Product #: **ENP-C02-P3-R10**

Material:

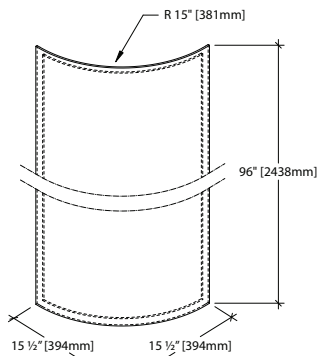
- Color (see color guide)
- Pattern Style (see pattern guide)
- Finish - Matte standard or Semi-gloss

Height Dimension:

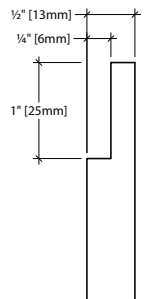
96" Standard (up to 143" available)

Notes:

- (1) - Metric conversions are approximate;
- (2) - All dimensions will be rounded to the nearest 1/8".



AXONOMETRIC



EDGE DETAIL

## P3 - OUTSIDE CORNER WALL PANEL - 15" ROUND

### TO BE SPECIFIED

Product #: **ENP-C02-P3-R15**

Material:

- Color (see color guide)
- Pattern Style (see pattern guide)
- Finish - Matte standard or Semi-gloss

Height Dimension:

96" Standard (up to 143" available)

Notes:

- (1) - Metric conversions are approximate;
- (2) - All dimensions will be rounded to the nearest 1/8".