

WALL CLADDING 02

1/2" RETROFIT - MINIMAL

T1 - FLUSH BUTT JOINT TRIM

TO BE SPECIFIED

Product #:

Material:

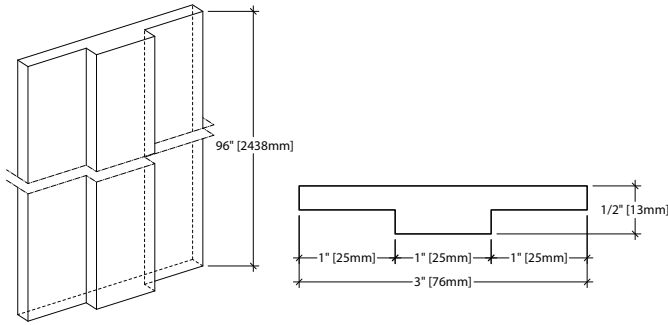
Color (see color guide)
 Finish - Matte standard or Semi-gloss

Length Dimension:

96" Standard (up to 143" available)

Notes:

- (1) - Metric conversions are approximate;
- (2) - All dimensions will be rounded to the nearest 1/8".



AXONOMETRIC

TOP

T1 - RECESSED BUTT JOINT TRIM

TO BE SPECIFIED

Product #:

Material:

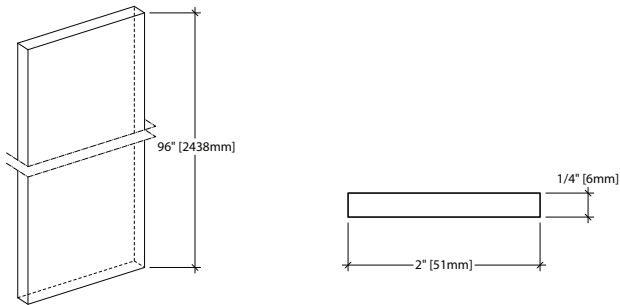
Color (see color guide)
 Finish - Matte standard or Semi-gloss

Length Dimension:

96" Standard (up to 143" available)

Notes:

- (1) - Metric conversions are approximate;
- (2) - All dimensions will be rounded to the nearest 1/8".



AXONOMETRIC

TOP