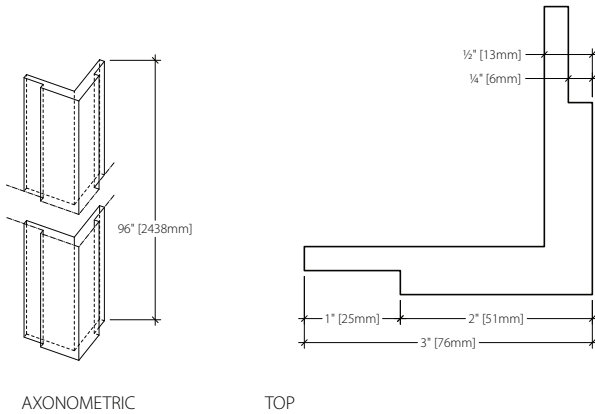


WALL CLADDING 02

1/2" RETROFIT - MINIMAL



AXONOMETRIC

TOP

T3 - FLUSH OUTSIDE CORNER TRIM - LARGE

TO BE SPECIFIED

Product #: **ENP-C02-T3-FL**

Material:

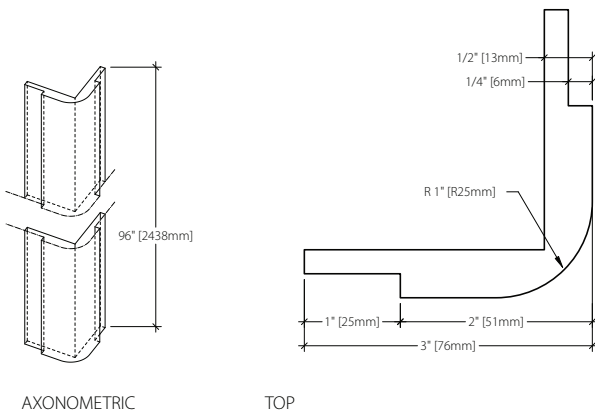
Color (see color guide)
 Finish - Matte standard or Semi-gloss

Length Dimension:

96" Standard (up to 143" available)

Notes:

- (1) - Metric conversions are approximate;
- (2) - All dimensions will be rounded to the nearest 1/8".



AXONOMETRIC

TOP

T3 - FLUSH OUTSIDE CORNER TRIM - LARGE ROUND

TO BE SPECIFIED

Product #: **ENP-C02-T3-FLR**

Material:

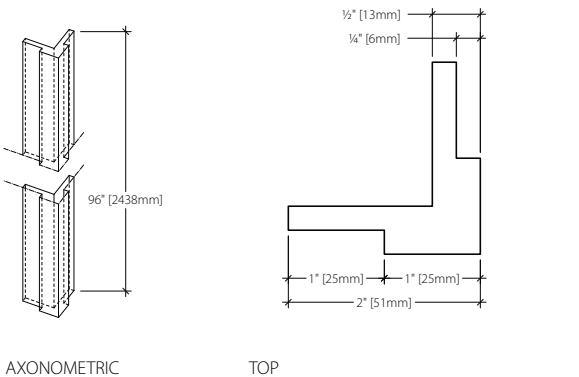
Color (see color guide)
 Finish - Matte standard or Semi-gloss

Length Dimension:

96" Standard (up to 143" available)

Notes:

- (1) - Metric conversions are approximate;
- (2) - All dimensions will be rounded to the nearest 1/8".



AXONOMETRIC

TOP

T3 - FLUSH OUTSIDE CORNER TRIM - SMALL

TO BE SPECIFIED

Product #: **ENP-C02-T3-FS**

Material:

Color (see color guide)
 Finish - Matte standard or Semi-gloss

Length Dimension:

96" Standard (up to 143" available)

Notes:

- (1) - Metric conversions are approximate;
- (2) - All dimensions will be rounded to the nearest 1/8".

EVANS & PAUL

Certified Fabricators of Dupont Corian

COMPONENT: T3 - OUTSIDE CORNER TRIM

WALL CLADDING 02

1/2" RETROFIT - MINIMAL

T3 - FLUSH OUTSIDE CORNER TRIM - SMALL ROUND

TO BE SPECIFIED

Product #: **ENP-C02-T3-FSR**

Material:

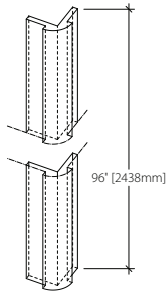
Color (see color guide)
 Finish - Matte standard or Semi-gloss

Length Dimension:

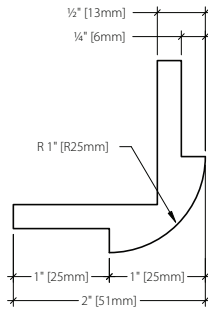
96" Standard (up to 143" available)

Notes:

- (1) - Metric conversions are approximate;
- (2) - All dimensions will be rounded to the nearest 1/8".



AXONOMETRIC



Made in the U.S.A.

For more information, please visit us at www.evansandpaul.com or call 1-718-661-1585

©2007 Evans & Paul Unlimited Corp. All Rights Reserved.

EVANS & PAUL

Certified Fabricators of Dupont Corian

COMPONENT: T3 - OUTSIDE CORNER TRIM

WALL CLADDING 02

1/2" RETROFIT - MINIMAL

T3 - RECESSED OUTSIDE CORNER TRIM

TO BE SPECIFIED

Product #: **ENP-C02-T3-R**

Material:

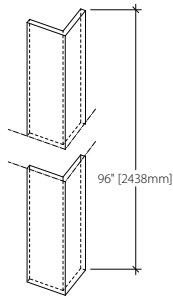
Color (see color guide)
 Finish - Matte standard or Semi-gloss

Length Dimension:

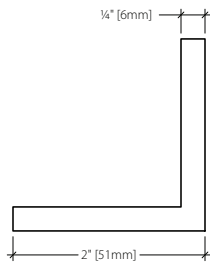
96" Standard (up to 143" available)

Notes:

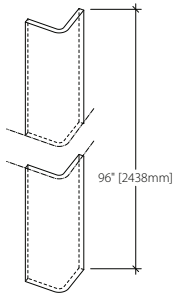
- (1) - Metric conversions are approximate;
- (2) - All dimensions will be rounded to the nearest 1/8".



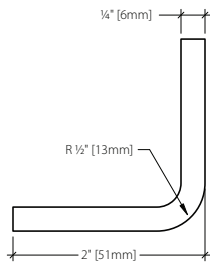
AXONOMETRIC



TOP



AXONOMETRIC



TOP

T3 - RECESSED OUTSIDE CORNER TRIM - ROUND

TO BE SPECIFIED

Product #: **ENP-C02-T3-RR**

Material:

Color (see color guide)
 Finish - Matte standard or Semi-gloss

Length Dimension:

96" Standard (up to 143" available)

Notes:

- (1) - Metric conversions are approximate;
- (2) - All dimensions will be rounded to the nearest 1/8".

Made in the U.S.A.

For more information, please visit us at www.evansandpaul.com or call 1-718-661-1585

©2007 Evans & Paul Unlimited Corp. All Rights Reserved.