

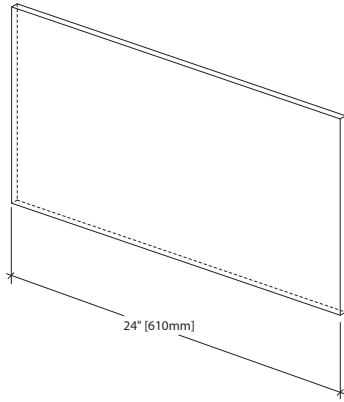
**EVANS & PAUL**

Engineered Surfacing Solutions

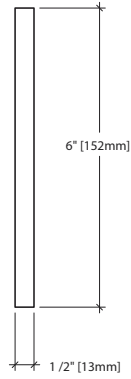
COMPONENT: A4 – BRACE

# Ambiwall

WALL CLADDING 003 - 1/2" BACKLIT



AXONOMETRIC



SECTION

## A4 - BRACE

### TO BE SPECIFIED

Product #: **ENP-C03-A4**

Material:

**CLEAR ACRYLIC**

Length Dimension:

**24" Standard (up to 36" available)**

#### Notes:

- (1) - Panel thickness is 1/2";
- (2) - Metric conversions are approximate;
- (3) - All dimensions will be rounded to the nearest 1/8".

Made in the U.S.A.

For more information, please visit us at [www.evansandpaul.com](http://www.evansandpaul.com) or call 1-516-576 0800  
©2009 Evans & Paul Unlimited Corp. All Rights Reserved.